

# izar<sup>®</sup> MRCP

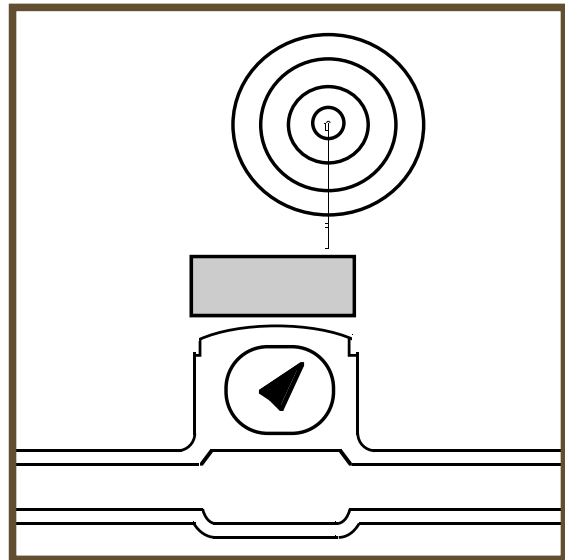
## Bi-directional radio system for water meters

Izar<sup>®</sup><sub>MRCP</sub> is a radio transceiver compatible with all Sappel modular range meters.

Izar<sup>®</sup><sub>MRCP</sub> is field-programmed with the number and index of the meter with which it is associated so as to transfer the meter reading by radio to a handheld terminal. In its turn, the terminal can be connected to a central computer system.

No special tools are required to fit the compact Izar<sup>®</sup><sub>MRCP</sub> unit onto Sappel meters.

Izar<sup>®</sup><sub>MRCP</sub> offers a leak detection facility which can be activated on demand. It provides a new service by making it possible to inform users of any leaks in their system. Also, Izar<sup>®</sup><sub>MRCP</sub> is sensitive to back flow.



The unit is powered by a cell with a life of about 10 years. It can be immersed and can operate in a wide range of temperatures.



# Main technical characteristics

## Radio specifications

Frequency band	433,92 MHz
Range	up to 600 m depending on surroundings
Conform to standard	I-ETS 300 220
Frequency of readings	from 360 to 1500 readings per hour
Post and Telecommunication approval	ART N° 990265 PPL0

## Power supply

Battery	Lithium 3 V
Operating life	of about 10 years depending on reading frequency

## Compatibility

Pulse emitter	dry contact type ILS (reed)
Meters	Sappel modular range Pulse weight DN 15 to 40 mm : 1 liter Pulse weight DN 50 to 100 mm : 10 liters

## Environment

Temperature range	-15°C to 55°C
Relative humidity	0 to 100%
Protection level	IP 685

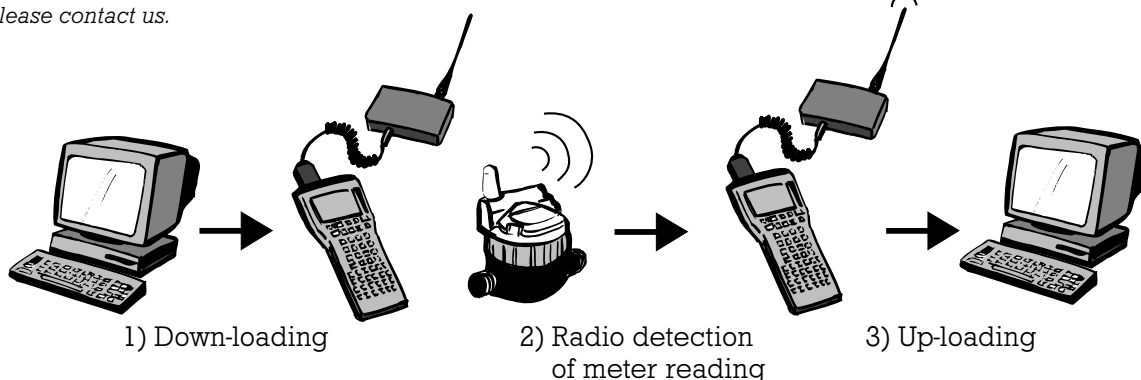
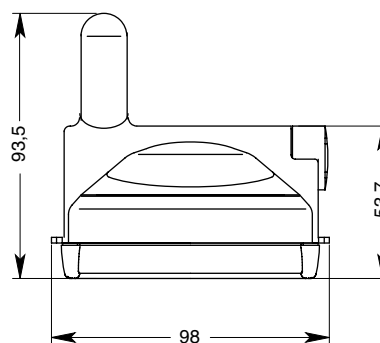
## Principle

The Izar<sup>®</sup><sub>MRCP</sub> is composed of an electronic circuit which receives data transmitted by a pulse emitter and stores these data in its memory bank. Upon reception of the identification signal, the Izar<sup>®</sup><sub>MRCP</sub> emits the meter index and any other operational data.

The hand-held computer Psion<sup>®</sup><sub>MRP</sub>\* which has been pre-programmed with the meters to be read, receives these data and up-loads them directly to the central computer system.

(\* ) The Izar<sup>®</sup> is compatible with other handheld computer. Please contact us.

## Dimensions (mm)



Non contractual document. Please have the features specified before ordering.

**Distributed by :**

If you have any question, please do not hesitate to contact us :



**HEAD OFFICE** B.P. 160 - 67 rue du Rhône - 68304 Saint-Louis Cedex - France  
Tel. +33 (0)3.89.69.54.00 - Fax +33 (0)3.89.69.72.20  
Web: [www.sappel.com](http://www.sappel.com) - E-mail: [info@sappel.com](mailto:info@sappel.com)

**EXPORT** B.P. 160 - 67 rue du Rhône - 68304 Saint-Louis Cedex - France  
Tel. +33 (0)3.89.69.54.21 - Fax +33 (0)3.89.69.54.22  
E-mail: [export@sappel.com](mailto:export@sappel.com)

Imprimerie P. BIELER S.A. - 68330 Huinguue