



ARAD LTD. DALIA - WATER METERS DIVISION

PLASTIC BODY LIQUID CHEMICAL METER MODEL PB

PB



Description: Angle type, plastic meters body multi-jet liquid chemical meter.

Features:

- Only one moving element, the impeller, is in contact with the liquid.
- All the components in contact with the liquid are corrosion resistant.
- Electrical output (EV).

Application: Measuring flow of fertilizer solutions, distilled water, sea water and many other diluted solutions.

Available flowrate: Nominal flowrate - Q_n : 2.5 m³/h, 5 m³/h

Body: PVC or Polypropylene (please specify)

TECHNICAL SPECIFICATION:

Maximum working pressure: 10 bar

Maximum working temperature: 50°C

Body thread: 1" BSP or NPS.

Electrical output: 1, 10, 100 liter/pulse (please specify)

INSTALLATION REQUIREMENTS:

Meter face horizontal.

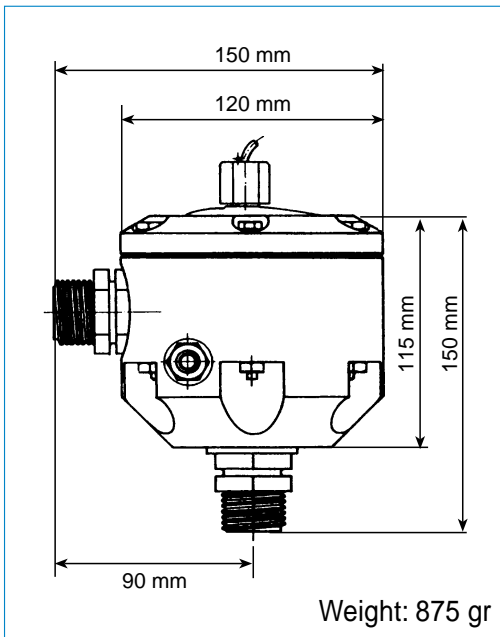


ARAD LTD. DALIA

WATER MEASURING TECHNOLOGIES



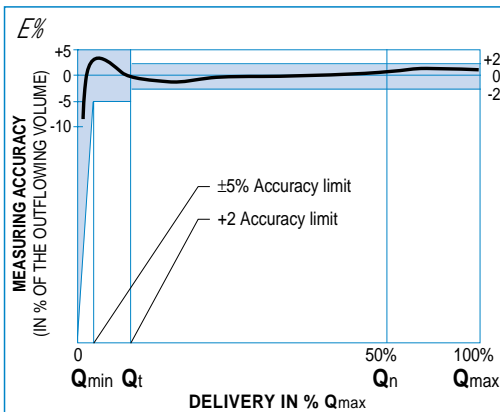
DIMENSIONS



PERFORMANCE

Model			PB20	PB25
Maximum flowrate	Qmax	m ³ /h	5	10
Nominal flowrate	Qn	m ³ /h	2.5	5
Transitional flowrate	Qt	l/h	200	400
Minimum flowrate	Qmax and Qt	l/h	50	100
Accuracy between	Qmin		±2%	±2%
Accuracy between	Qt and Qmin		±5%	±5%
Headloss at Qmax		bar	1	1
Maximum register capacity		m ³	10 ⁵	10 ⁵
Minimum register capacity		lit	0.1	0.1

ACCURACY CURVES



HEAD LOSS CURVES

