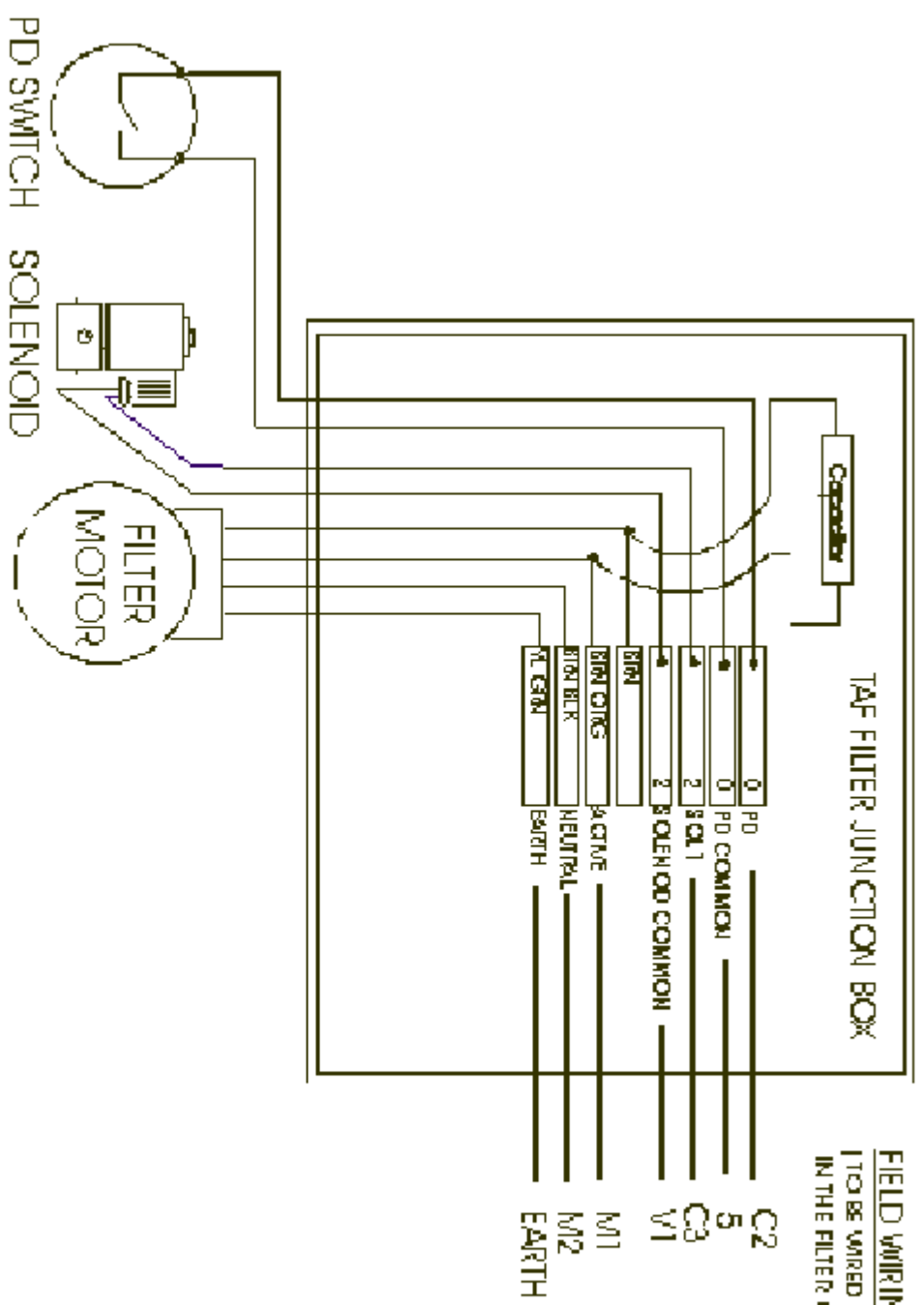


1 2 3 4 5 6 7 8 9 10 11 12 13 14 15 16 17 18 19 20 21 22 23 24



NOTE:
These components are pre-wired on the filter

Revision Summary

TAF Filter Junction Box Wiring Schematic.

Amiad Australia Pty Ltd
3/15 Brisbane St.
Eitham Vic. 3095

DESIGN	DATE	DESIGNED	REVISION
Bob Lyons	02/04/09	Checked	A
DRAWING NUMBER		TAF JB Wiring Schematic	

Z Y X W V U T S R Q P O N M L K J I H G F E D C B A