

S-050-C, S-052 AUTOMATIC AIR RELEASE VALVE

PAT. PEND



Lightweight, small dimensions, simple and reliable structure.

The body is made of metal casting, and all operating parts are made of specially selected corrosion resistant materials.

Vandalism protected by a metal casting body.

Standard metal body - baked polyester coating.

A.R.I patent, Rolling Seal Mechanism:

- Dramatically reduces the possibility of obstruction by debris.
- Discharges high air flow rates upto 160 m³/h.
- One size orifice for a wide pressure range (up to 16 bar).
- Self cleaning mechanism.

Working pressure range: S-050-C: 0.2-16 bar. (3-230 psi).

S-052: 0.2-25 bar. (3-360 psi).

Available in 1/2" (15mm), 3/4" (20mm), 1" (25mm), BSPT/NPT threaded.

Option

S-050-C-VAC: Vacuum check. Available as a valve that will only release air from the system and will not admit air to the system in vacuum condition.

Ordering

Upon ordering, please specify: model, size, working pressure, threads standard and type of liquid.

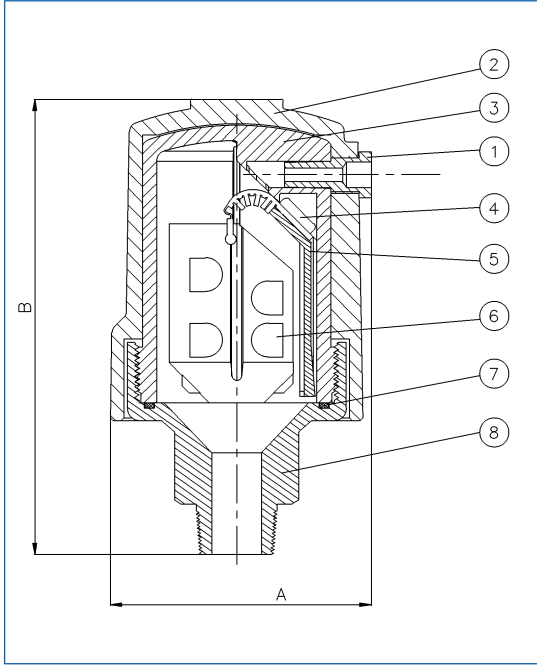


A.R.I. Flow Control Accessories

Kfar Charuv, 12932 Israel Tel. 972-6-6761988 Fax. 972-6-6763402

<http://arivalves.com>

EC5050C2000



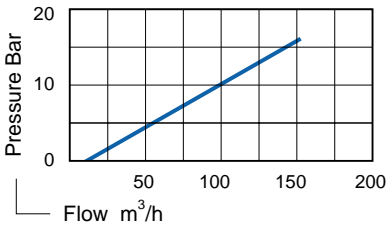
PARTS LIST AND SPECIFICATION

No.	Part	Material
1.	Threaded Outlet	Brass
2.	Body	PN16 Cast Iron ASTM A-48 CL.20B PN25 Sphero Nodular ASTM A-536 60-40-18
3.	Sleeve	Reinforced Nylon
4.	Rolling Seal	Rubber E.P.D.M.
5.	Calmping Stem	Reinforced Nylon
6.	Float	Foamed Polypropylene
7.	O-Ring	BUNA-N
8.	Base	Brass ASTM B-124

DIMENSIONS AND WEIGHTS

Nominal Size	Dimensions mm		Weight Kg.	Orifice Area mm ²	
	A	B		S-050-C	S-052
15mm 20mm 25mm 1/2" 3/4" 1"	84.6	148	1.65	12mm ²	9mm ²

AUTOMATIC AIR DISCHARGE CHART FOR MODEL S-050-C



AUTOMATIC AIR DISCHARGE CHART FOR MODEL S-052

