

S-012, S-014, S-016 AUTOMATIC AIR RELEASE VALVE FOR HIGH-PRESSURE SYSTEMS



Lightweight, small dimensions, simple and reliable structure.

The drainage outlets enables removal of excess fluids.

Standard metal body - baked polyester coating.

A.R.I patent, Rolling Seal Mechanism:

- Dramatically reduces the possibility of obstruction by debris.
- Discharges high air flow rates upto 786 m³/h.
- One size orifice for a wide pressure range (up to 64 bar).
- Self cleaning mechanism.

All operating parts are made of specially selected corrosion resistant materials.

Working pressure range: 0.2-100 bar (3-1400 psi).

Available in 3/4" (20mm), 1" (25mm), male threaded BSPT/NPT.

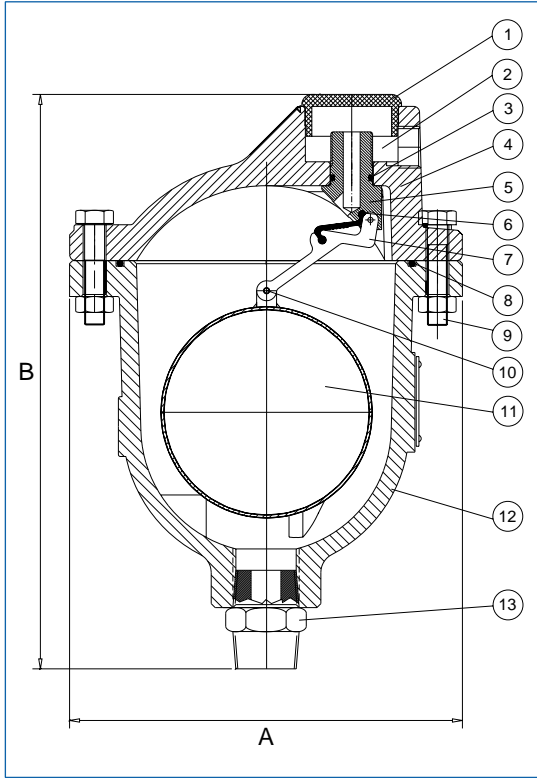
Ordering

Upon ordering, please specify: model, size, working pressure, threads standard and type of liquid.



A.R.I. Flow Control Accessories

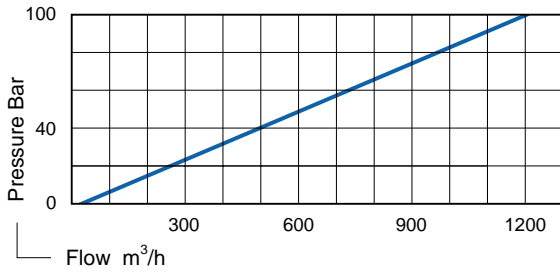
Kfar Charuv, 12932 Israel Tel. 972-6-6761988 Fax. 972-6-6763402 <http://arivalves.com>



PARTS LIST AND SPECIFICATION

No.	Part	Material
1.	Plastic Cover	Polypropylene
2.	Washer	Brass ASTM B-124
3.	O-Ring	BUNA-N
4.	Cover	PN-25, PN-40: Sphero nodular ASTM A-536 60-40-18 PN-40-100: Cast Steel ASTM A216 WCB
5.	Nozzle	Acetal
6.	Rolling Seal	Rubber E.P.D.M
7.	Lever Seal	Acetal
8.	O-Ring	BUNA-N
9.	Bolt and Nut	Galvanized Steel Chromate Plated
10.	Pin	Stainless Steel SAE 303
11.	Float	Stainless Steel SAE 304
12.	Body	PN-25, PN-40: Sphero nodular ASTM A-536 60-40-18 PN-40-100: Cast Steel ASTM A216 WCB
13.	Male Adaptor	Brass ASTM B-124

AUTOMATIC AIR DISCHARGE CHART



DIMENSIONS AND WEIGHTS

Nominal Size	A	B	Weight Kg	Orifice Area mm ²
20mm-3/4", 25mm-1"	197	295	S-012: 12 Kg S-014: 13 Kg	15

