

# OF-020 SEMI GLOBE FILTER

Protect equipment from damage due to dirt, scale, debris and other foreign material.

Should be installed before backflow prevention devices, control valves, pumps, meters and other equipment.

A ball valve can be provided for flushing the intercepted solids.

Suitable for the filtering of all types of liquids.

## Standard filter Screen data:

Stainless steel

1mm thick

3 mm (1/8") hole diameter - standard

Percentage of free area 35%

Ratio free area to pipe section area 2.5

The filter screen is available with any requested mesh size.

Sturdy cast iron body, (3"-8") with high resistance to surge effects.

## Cock threaded cover

female 1" for 3" - 4" filters

female 2" for 6" - 8" filters.

Standard metal body - baked polyester coating.

Working Pressures: 0.2-16 bar (3-230 psi) Testing pressure: 25 bar.

Available in 3" (80 mm) - 8" (200 mm). Flanges are available in BS/ISO/ANSI standards.

Fabricated filters are available from 10" (250mm) up to 16" (400 mm) upon request.

## Ordering

**Upon ordering, please specify: model, size, working pressure, flanges standard and type of liquid.**

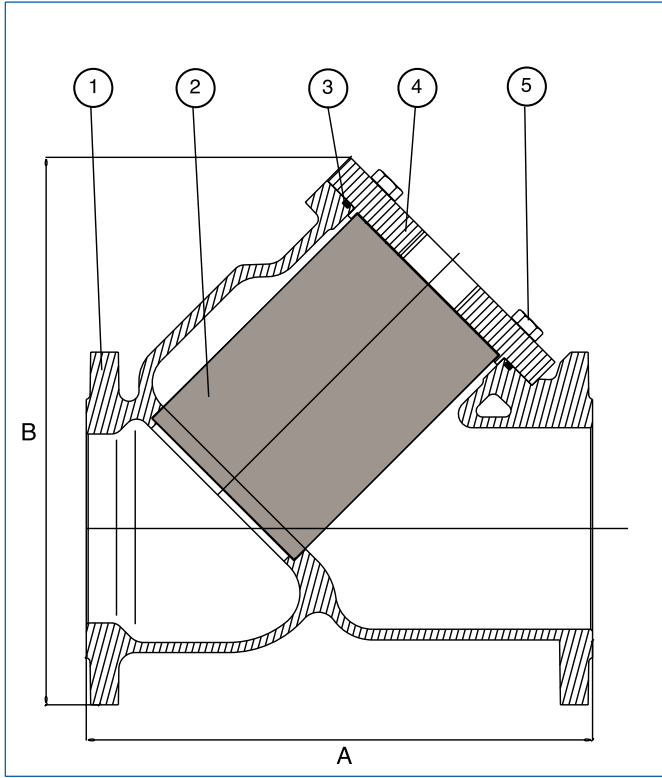


**A.R.I.** Flow Control Accessories

Kfar Charuv, 12932 Israel Tel. 972-6-6761988 Fax. 972-6-6763402

<http://arivalves.com>

SCOF0202000

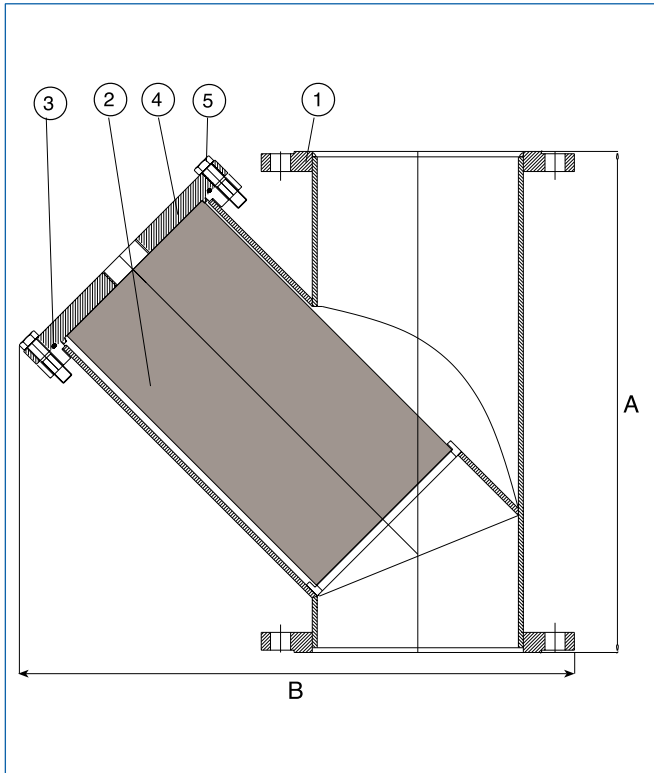


### SEMI GLOBE FILTER 3"-8" (CASTING) - PART LIST AND SPECIFICATION

No.	Part	Material
1.	Body	Cast Iron ASTM A-48 CL.35B
2.	Filter	Stainless Steel Mesh INOX RD3S-1
3.	O-Ring	BUNA-N
4.	Cover	Cast Iron ASTM A-48 CL.35B
5.	Bolt and Nut	Galvanized Steel Chromate Plated

### DIMENSIONS AND WEIGHTS

Nominal Size	A	B	Weight Kg.
3"	280	280	15.5
4"	300	320	25.0
6"	400	435	49.0
8"	482	575	90.0



### SEMI GLOBE FILTER 10"-16" (FABRICATED) - PARTS LIST AND SPECIFICATION

No.	Part	Material
1.	Body	Steel DIN ST.37
2.	Filter	Stainless Steel Mesh INOX RD3S-1
3.	O-Ring	Rubber S.B.R.
4.	Cover	Steel DIN ST.37
5.	Bolt and Nut	Galvanized Steel chromate Plated

### DIMENSIONS AND WEIGHTS

Nominal Size	A	B	Weight Kg.
10"	648	712	112
12"	762	830	135
14"	838	916	162
16"	927	966	190

