

# NR-050 TILTING DISC CHECK VALVE

Non-slamming closure.

Smooth and noiseless sealing.

Low head loss, low cost operation.

Corrosion resistant inner parts ensure long term service under adverse conditions.

Extended hinge shaft and counterweights on both sides of the valve.

Standard metal body - baked polyester coating.

Available with Rilsan or Enamel coating.

Flanges are available in BS/ISO/ANSI standards.

Working pressure categories: 16 bar, 25 bar and 40 bar.

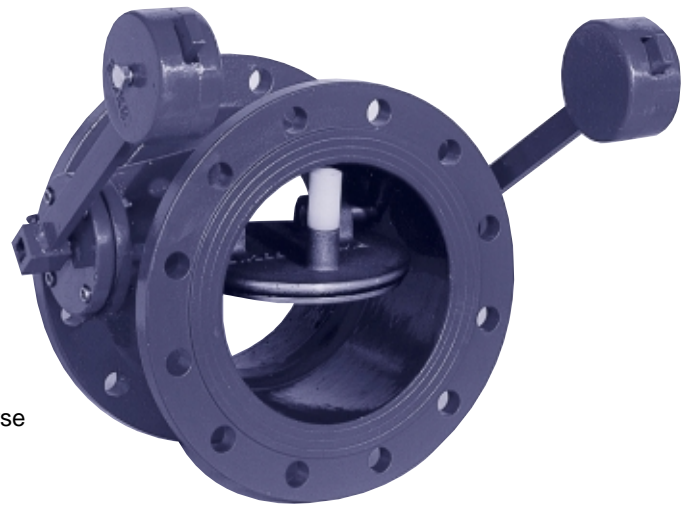
Available in sizes up to 40" (1000 mm).

## Optional Additions:

- Electric limit switch indicator.
- Hydraulic Controlled Check Valve NR-050-HC is available.

## Ordering

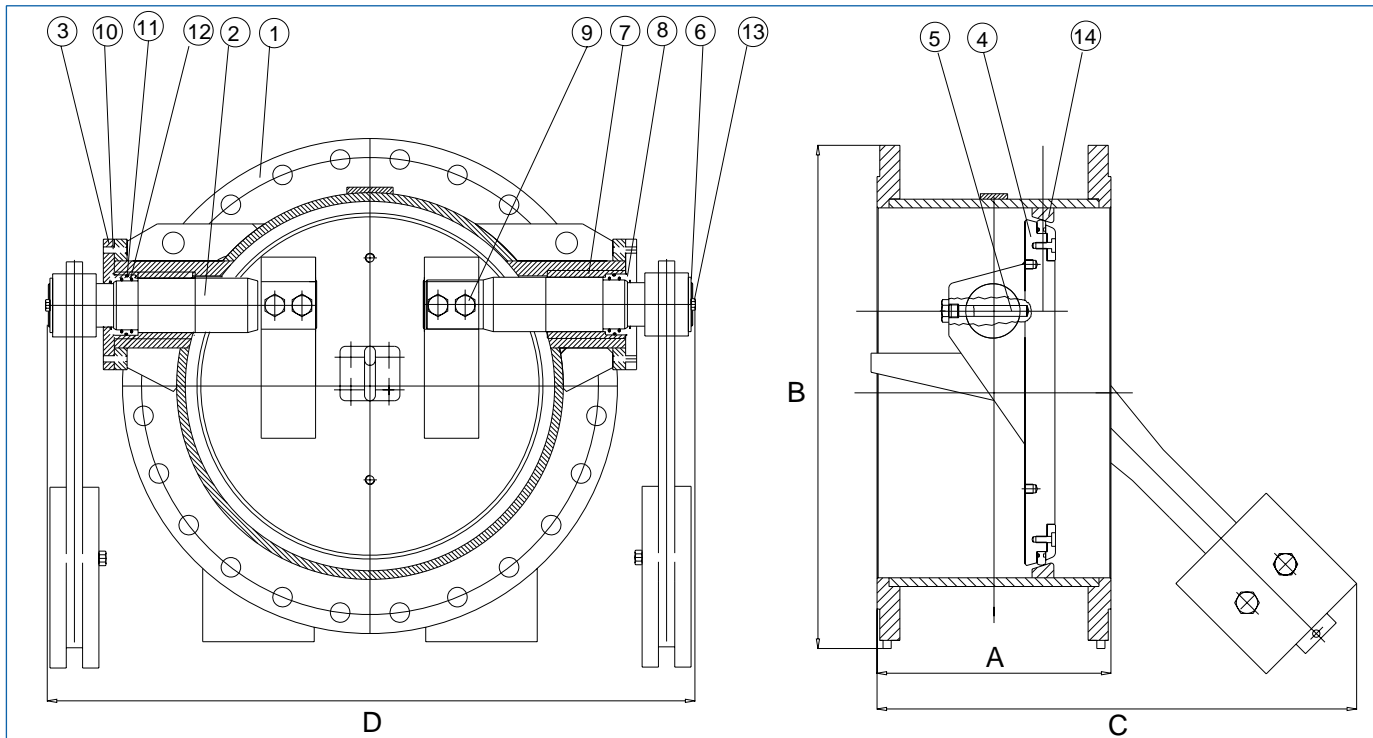
**Upon ordering, please specify: model, size, working pressure, flanges standard and type of liquid.**



**A.R.I.** Flow Control Accessories

Kfar Charuv, 12932 Israel Tel. 972-6-6761988 Fax. 972-6-6763402

<http://arivalves.com>



## DIMENSIONS

Nominal Size	A	B	C	D
400mm 16"	310	580	720	745
450mm 18"	330	640	740	804
500mm 20"	350	715	820	907
600mm 24"	390	840	1000	1060
700mm 28"	430	910	1120	1234
750mm 30"	450	970	1200	1270
800mm 32"	470	1025	1230	1365
900mm 36"	510	1125	1320	1500
1000mm 40"	550	1255	1420	1605

## PARTS LIST AND SPECIFICATION

No. Part	Material	
	16"	18-40"
1. Body	Cast Iron ASTM A-536	Steel DIN St.37
2. Shaft	Stainless Steel SAE 304	Stainless Steel SAE 304
3. Shaft Housing Cover	Steel DIN St.37	Steel DIN St.37
4. Disc Assembly	Steel DIN St.37	Steel DIN St.37
5. Pin	Stainless Steel SAE 316	Stainless Steel SAE 316
6. Washer	Stainless Steel SAE 304	Stainless Steel SAE 304
7. Slide Bearing	Bronze C 907	Bronze C 907
8. Bushing	Bronze C 907	Bronze C 907
9. Bolt	Stainless Steel SAE 304	Stainless Steel SAE 304
10. Bolt M10x40	Stainless Steel SAE 304	Stainless Steel SAE 304
11. O-Ring 2-243	BUNA-N	BUNA-N
12. Graphitic Seal	GS 56132-0900-239 10N	GS 56132-0900-239 10N
13. Bolt M10x40	Stainless Steel SAE 304	Stainless Steel SAE 304
14. Sealing Ring	Stainless Steel SAE 304	Stainless Steel SAE 304

