

D-040-C COMBINATION AIR VALVE

"BARAK" PATENTED

Reliable operation reduces water hammer incidents.

Dynamic design allows high velocity air discharge and Prevents premature closing.

Lightweight, small dimensions, simple and reliable structure.

The body is made of metal casting as an anti-vandalism application. All operating parts are made of specially selected corrosion resistant materials.

The drainage outlet enables removal of excess fluids.

Standard cast iron body - baked polyester coating.



Automatic component

A.R.I patent, Rolling Seal Mechanism:

- Dramatically reduces the possibility of obstruction by debris.
- Discharges high air flow rates upto 160 m³/h.
- One size orifice for a wide pressure range (up to 16 bar).
- Self cleaning mechanism.

Working pressure range: 0.2-16 bar (3-230 psi).

Available in 2" (50mm), BSPT/NPT threaded or flanged.

Option:

- D-040-C-T: With a ball valve tap.
- D-040-C-VAC: Vacuum check. Available as a valve that will only release air from the system and will not admit air to the system in vacuum condition.

Ordering

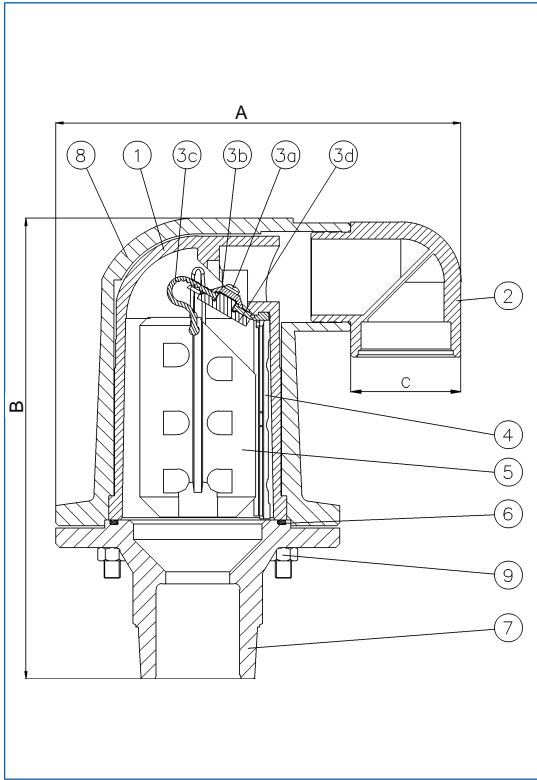
Upon ordering, please specify: model, size, working pressure, threads/flanges standard and type of liquid.



A.R.I. Flow Control Accessories

Kfar Charuv, 12932 Israel Tel. 972-6-6761988 Fax. 972-6-6763402

<http://arivalves.com>



PARTS LIST AND SPECIFICATION

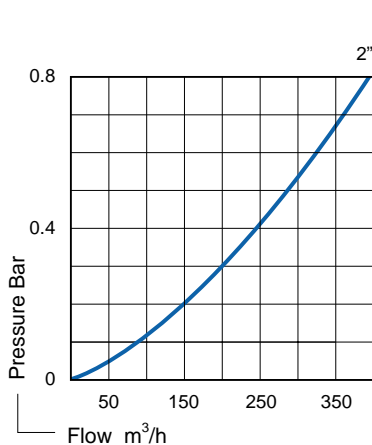
No.	Part	Material
1.	Sleeve	Reinforced Nylon
2.	Drainage Elbow	Polypropylene
3.	Seal Plug Assembly	
3a.	Bolts	Stainless Steel SAE 304
3b.	Plug Cover	Reinforced Nylon
3c.	Rolling Seal	Rubber E.P.D.M
3d.	Plug	Reinforced Nylon
4.	Clamping Stem	Reinforced Nylon
5.	Float	Foamed Polypropylene
6.	O-Ring	Buna-N
7.	Base	Cast Iron ASTM A48 CL.35B
8.	Body	Cast Iron ASTM A48 CL.35B
9.	Bolt & Nut (x4)	Galvanized Steel, Chromate Plated
Optional	Ball valve	Brass ASTM-B-124

DIMENSIONS AND WEIGHTS

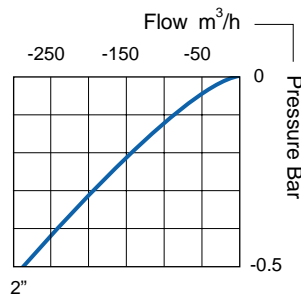
Nominal Size	Dimensions mm			Weight Kg.	Orifice Area: mm ²	
	A	B	C		Automatic	Kinetic
2" 50mm						
D-040-C	202.5	230.6	1 1/2" BSP	5.4	12	804

KINETIC AIR DISCHARGE CHART

OUTFLOW



INFLOW



AUTOMATIC AIR DISCHARGE CHART

