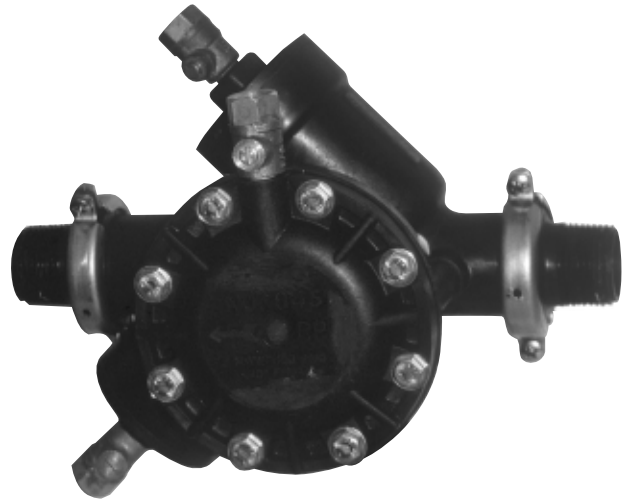


BF-845 BACK FLOW PREVENTER



The back-flow preventer designed to supply the best protection and durability against back-flow, caused by vacuum and back siphonage.

Back-flow may cause infiltration of chemicals, fertilizers and/or other pollutants to drinking water systems.

Easy and quick to install, reliable and easily maintained, without special tools.

Assembled from two independent spring check valves in both sides of an automatic relief valve.

An internal control chamber ensures protection and reliable performance of the relief valve.

Made of engineered plastic materials, resistant to corrosion, to fertilizers, herbicides, insecticides etc. Specially suited for plastic connections.

Working pressure: 12 bar.

UV resistance, meets international standards. ASSE, AWWA, USC approved.

Working temperature: -0.5 C-60 C.

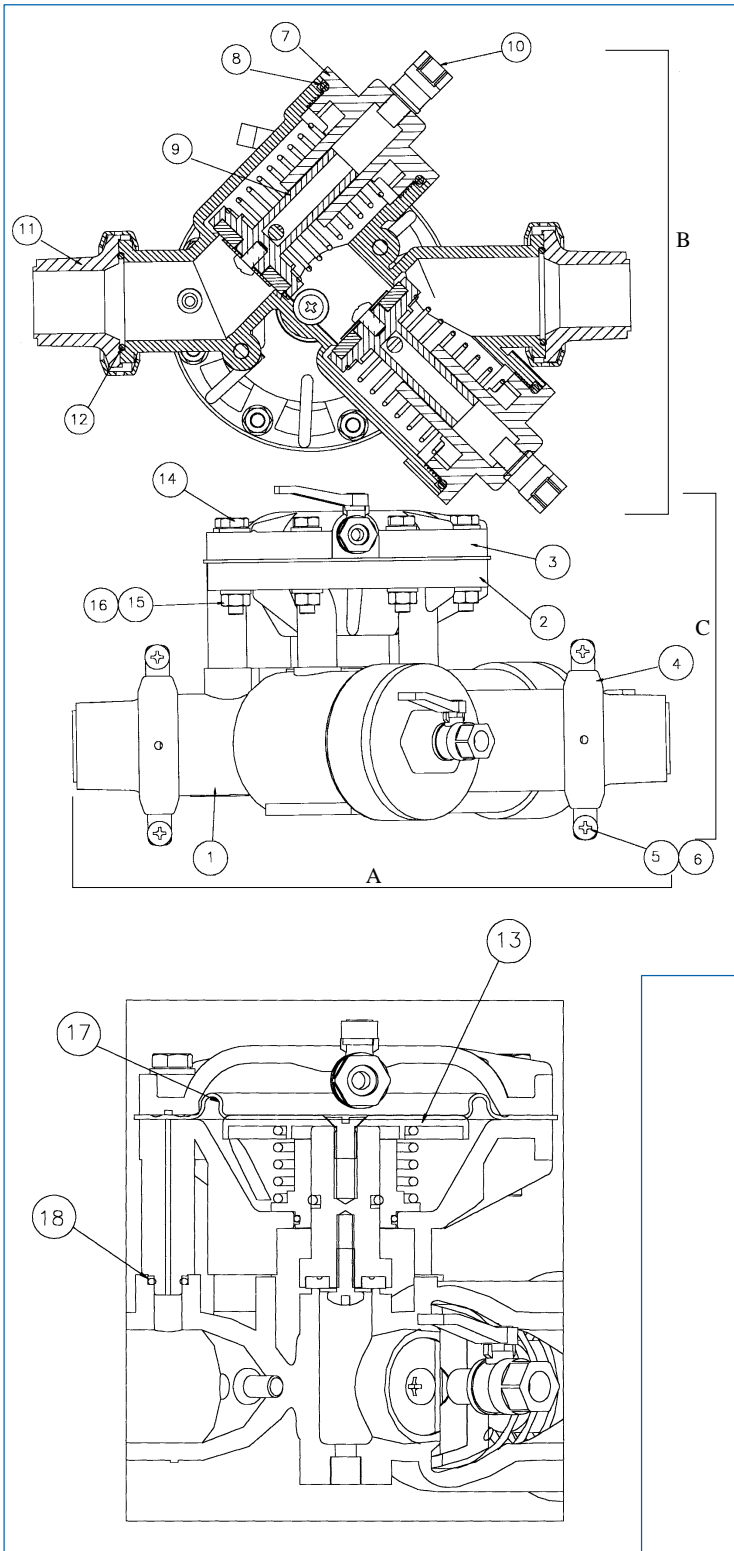
Available in 3/4" (20mm), 1" (25mm).



A.R.I. Flow Control Accessories

Kfar Charuv, 12932 Israel Tel. 972-4-6761988 Fax. 972-4-6763402 <http://arivalves.com>

ECBF8452000



PARTS LIST AND SPECIFICATION

No.	Part	Material
1.	Body	Reinforced Nylon
2.	Discharger Body	Reinforced Nylon
3.	Discharger Cover	Reinforced Nylon
4.	Brace	St.St.
5.	Bolt for brace	St.St.
6.	Nut for Brace	St.St.
7.	Plug	Reinforced Nylon
8.	O-Ring	BUNA-N
9.	Piston Assembly	
10.	Test Valve	Brass
11.	Adaptor	Reinforced Nylon
12.	Adaptor O-Ring	BUNA-N
13.	Discharger Assembly	
14.	Discharger Bolt	St.St.
15.	Discharger Nut	St.St.
16.	Discharger Washer	St.St.
17.	Diaphragm	E.P.D.M.
18.	Discharger Body O-Ring	BUNA-N

DIMENSIONS AND WEIGHTS

Nominal Size	Dimensions mm			Weight Kg
	A	B	C	
3/4" (20mm), 1" (25mm)	245	220	133	1.5

HEAD LOSS CHART

