

# AV-010 AIR AND VACUUM VALVE



Admits air into the pipelines at high flow rates during its drainage.

Dynamic design allows high velocity air discharge, up to 0.7 bar differential pressure; Preventing premature closing.

Specially suitable for agricultural and landscape irrigation laterals.

Drip-tight sealing at low pressure.

All parts are UV-protected.

Lightweight, small dimensions, simple and reliable structure.

The body is made of high strength plastic, and all operating parts are made of specially selected corrosion resistant materials.

Working pressure range: 0.2-10 bar (3-150 psi).

Available in 3/4" (20mm), 1" (25mm) male threaded, 2" (50mm) female threaded NPT/BSPT.

## Ordering

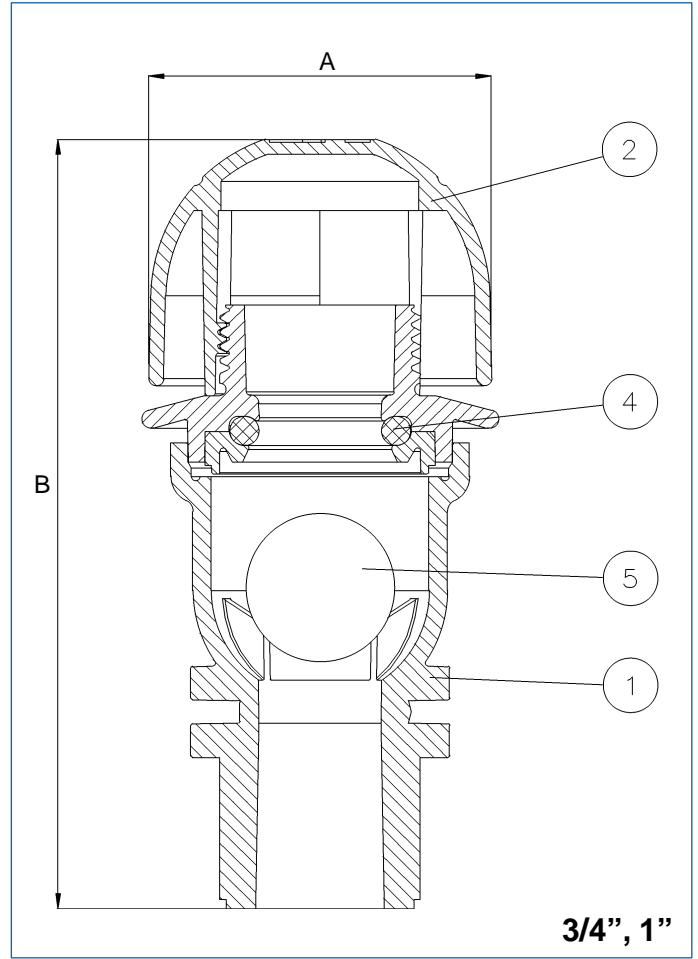
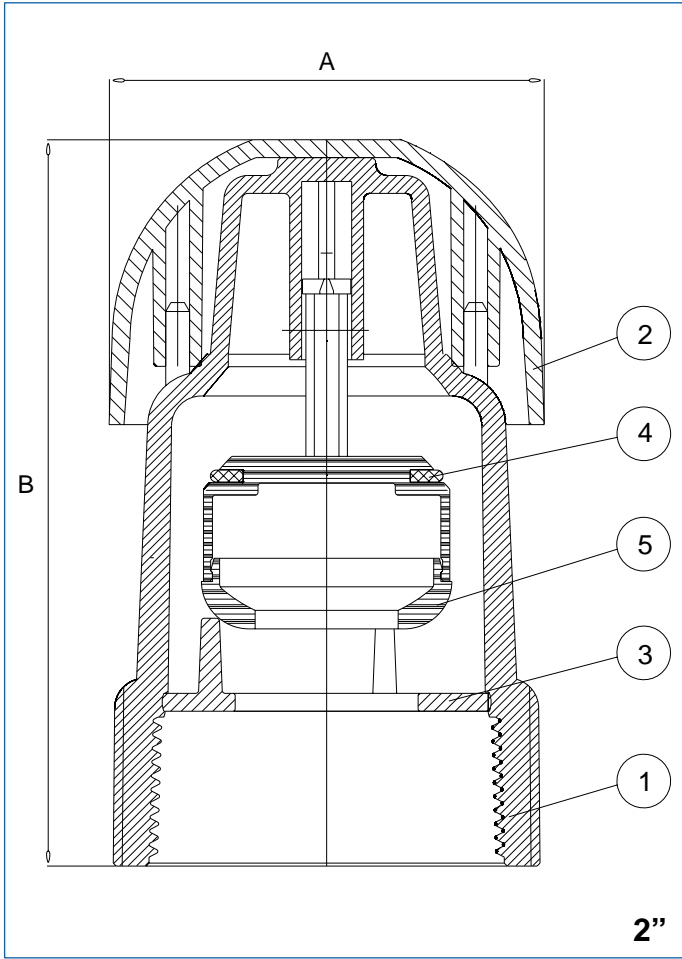
Upon ordering, please specify: model, NPT/BSPT.



**A.R.I.** Flow Control Accessories

Kfar Charuv, 12932 Israel Tel. 972-6-6761988 Fax. 972-6-6763402 <http://arivalves.com>

ECAV0102000



### DIMENSIONS AND WEIGHTS

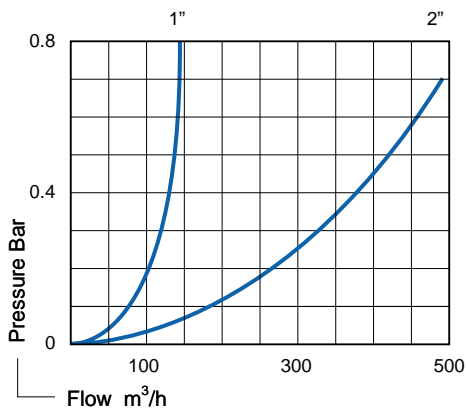
Nominal Size	A mm	B mm	Weight Kg	Orifice Area (mm <sup>2</sup> )
20mm 3/4", 25mm 1"	60	124	0.1	314
50mm 2"	73	122	0.2	800

### PARTS LIST AND SPECIFICATION

No.	Part	3/4", 1"	Material	2"
1.	Body	Polypropylene		Reinforced Nylon
2.	Cover	Polypropylene		Polypropylene
3.	Disc	-		Reinforced Nylon
4.	Seal	BUNA-N		E.P.D.M
5.	Float	Polypropylene		Reinforced Nylon

### AIR DISCHARGE CHART

OUTFLOW



INFLOW

